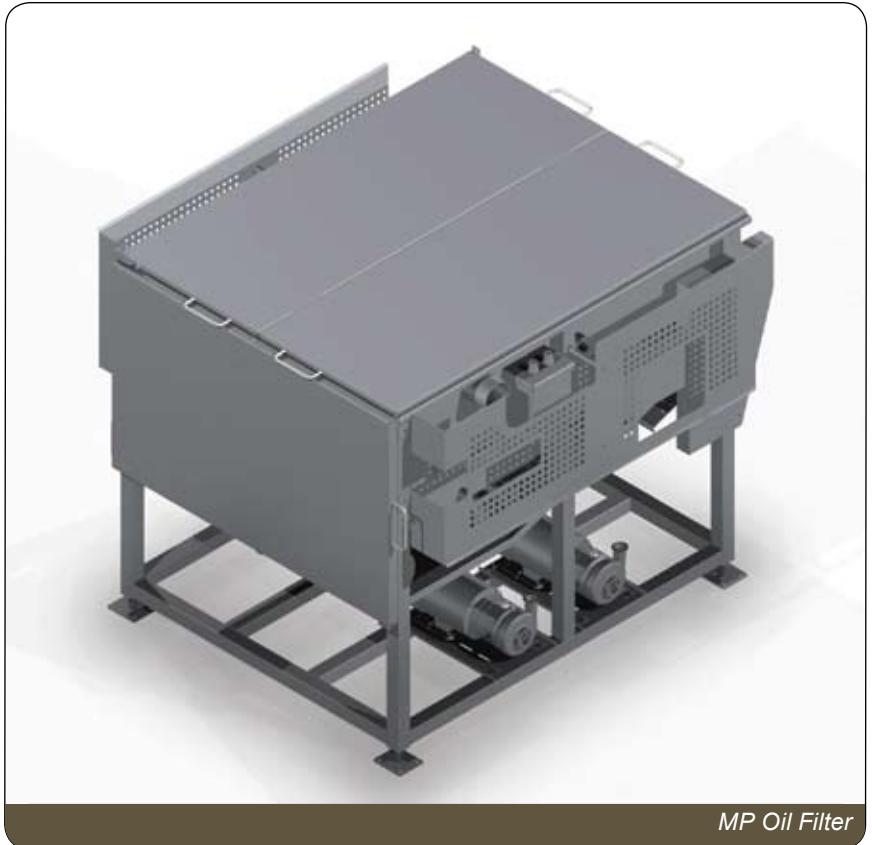


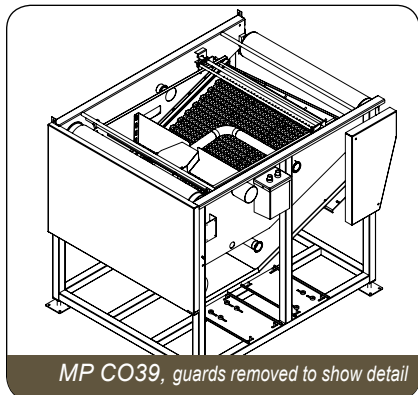
## MP CO27 and CO39 Oil Filters

### OUR FILTERS ARE DESIGNED AND MANUFACTURED TO REMOVE FINE SEDIMENT FROM CONTINUOUS OIL FRYERS

- Custom designed oil management systems
- Designed in 27 and 39 sq. ft. oil filtration area
- Designed for 60 or 80 all stainless steel micron mesh belting
- Stainless steel centrifugal suction pump and motor
- Stainless steel centrifugal feed pump and motor
- High performance fine removal upgrade available
- Scraper design for longer mesh screen life
- 2 year parts and labor warranty



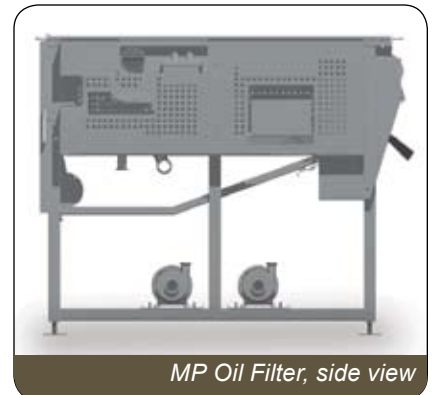
MP Oil Filter



MP CO39, guards removed to show detail



MP Oil Filter, front view



MP Oil Filter, side view

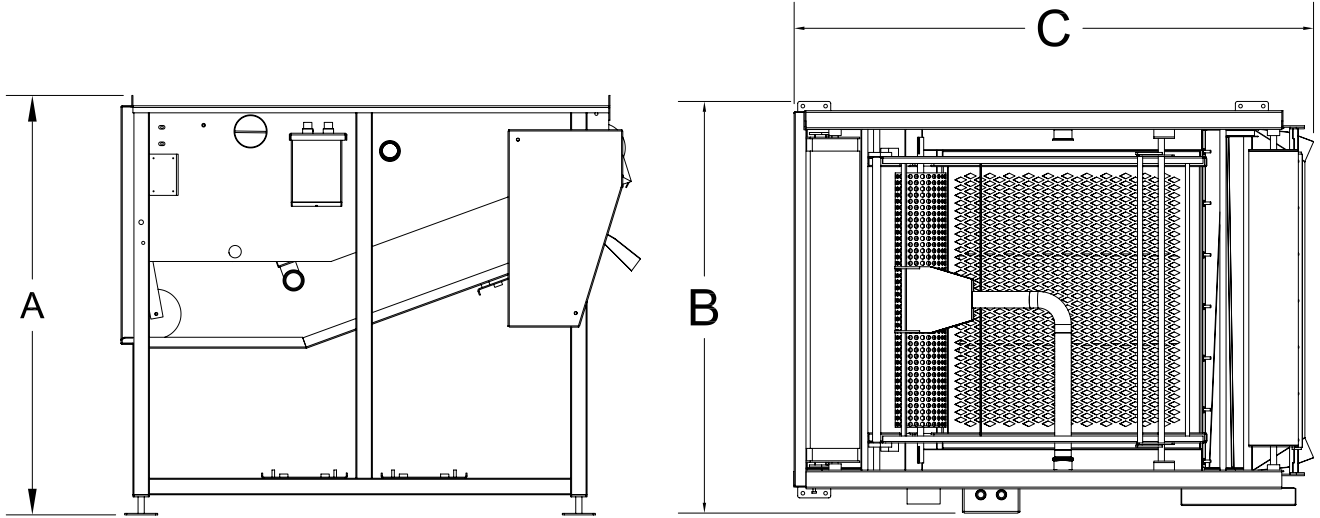
# MP Oil Filter

## Technical Information

### MACHINE DIMENSIONS

Model	A	B	C
CO39	50 1/2"	48"	63"
CO27	50 1/2"	36"	63"

Specifications subject to change



### UTILITIES

Model		CO39	CO27
Belting	Width	39"	27"
	Filtration	60 microns	60 microns
Electrical Requirements		230/480/3/60	230/480/3/60
Gross Weight		1500 lbs.	1500 lbs.

### - SERVICES OFFERED -

- 24/7 Service
- Spare Parts Department
- Application Support
- Technical Support
- Line Audits

### - MP WARRANTY POLICY -

*MP Equipment will repair or replace any MP manufactured component that fails due to defect in material or workmanship within 24 months from shipment.*

*All OEM parts covered by individual warranties.*

**MP** EQUIPMENT COMPANY  
Your Best Value for Processing Solutions