

MPADVANTAGE™ True Homestyle Breeder

THE MPADVANTAGE™ TRUE HOMESTYLE BREADER - THIS REVOLUTIONARY BREADER IS CHANGING THE FUTURE OF THE BREADING INDUSTRY

- Breeding savings • No hydraulics • No wire belts • No augers • Reduces labor



MPADVANTAGE™ True Homestyle Breader, side view

The MPADVANTAGE™ True Homestyle Breader is the first high-production flour breader on the market that **eliminates:**

- hydraulics
- parts associated with hydraulics
- wire belts
- augers

Other economic benefits include:

- Breeding savings
- Does not require an experienced breading operator
- Reduced parts usage
- Reduced cost of ownership
- Reduced plant floor space

Applications:

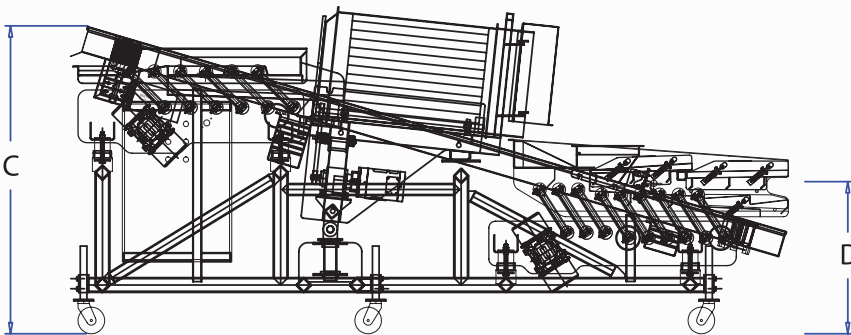
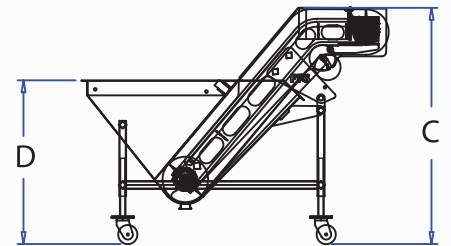
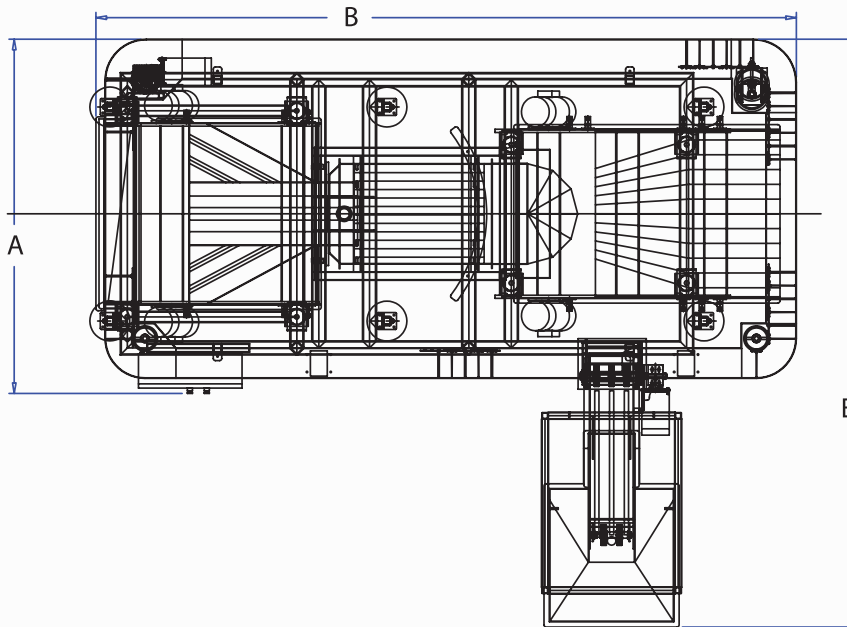
- Breader can be run in predest or final position
- Creates “true home-style” texture
- Estimated Capacity:
 Boneless Chunks and Popcorn:
 Up to 11,000#/hr. 30-36% pickup
 Tenders and Strips:
 Up to 8,000#/hr. 30-36% pickup
- Infeed Shaker with bottom breading layer
- Shaker/Spreader/Shifter in final position
- Breading recirculation system
- Electrical controls

MPADVANTAGE™ True Homestyle Breeder

Technical Information

MACHINE DIMENSIONS

Machine	A	B	C	D	E
THS	84"	163"	69.25"	34.25"	139"
Breeding Feeder		55"	49.25"	34"	



Specifications subject to change

- SERVICES OFFERED -

- 24/7 Service
- Spare Parts Department
- Application Support
- Technical Support
- Line Audits

- MP WARRANTY POLICY -

MP Equipment will repair or replace any MP manufactured component that fails due to defect in material or workmanship within **24 months** from shipment.

All OEM parts covered by individual warranties.

UTILITIES

Requires 10 amp electrical service

MP EQUIPMENT COMPANY
Your Best Value for Processing Solutions

